

High Speed Portable Marker

Easy to Use

Quiet, Fast, Efficient Marking

Large Marking Area

Flexible Fixturing Options

Robust Precision Mechanics

PRYOR
MARKING TECHNOLOGY

Marktronic™ 3000 P130-30 Marktronic™ 3000 P130-40



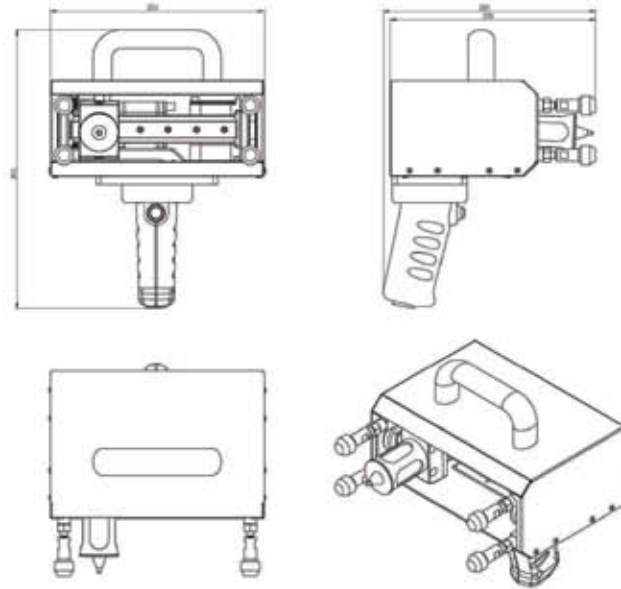
Portable Handheld Dot Peen Marking Machine

Portable, fully programmable, high speed dot marking machine for use in all environments where bringing the marking device to the work piece is a prerequisite. Uncompromising build quality and light weight design ensure the Marktronic™ 3000 P130-30 / P130-40 marking system is suitable for use in virtually any environment.

Applications Include:

- 2D Data Matrix marking • Component traceability • Steel stock marking • Serial numbering
- Chassis VIN marking • Time and Date marking • Cast and forge marking • Part numbering
- Batch and Shift coding • Programmable marking • Component identification
- Production line integration.

intelligent marking solutions



technical specifications

	P130-30	P130-40
Marking Area:	130mm x 30mm	130mm x 40mm
Stylus Length:	50mm	100mm
Std. Character Sizes:	0.30mm - 99.9mm in increments of 0.30mm	
Marking Formed:	5 x 7, 7 x 9, Varidot, OCR fonts	
Marking Speed:	Variable, depends on application	
Memory Capacity:	LCD: 1350 Layouts, PC: Unlimited	
Weight:	Marking Head: 5kg Controller: 10kg	
Electrical Supply:	220/110v 50/60Hz	

Technology

Fully programmable, high speed dot peen marking machine easily moved from one application to another around any industrial/commercial site. The unique lead-screw design guarantees high speed dot precision second to none, in a compact lightweight unit.

Highly Flexible

The PF130-30 suits a wide range of applications from a single programmable system. The large 130mm by 30mm marking area suits virtually all portable marking applications, whilst the flexible stand-off posts can be adjusted or modified to suit the most difficult fixturing scenarios. The variable force control of the electric marking attachment ensures a mark depth for all engineering materials up to 62Rc (800 Hv). If a larger Y axis is required the P130-30 can easily be modified to the P130-40 by fitting a longer stylus, nosepiece and stand-off posts.

Easy to use out of the box

The sturdy design has been created with ease of use in mind. High functionality software ensures operator training is minimised and production efficiency is maximised. The multilingual user interface allows users to choose between different character fonts and type sizes as well as angular and arc marking, serial numbers, date and time marking.

Fast Efficient Marking

Requiring no compressed air supply and powered only by a standard 110/220 volt electric source, the P130-30 /P130-40 is highly efficient, and significantly quieter than pneumatically actuated systems. The large high contrast LCD screen gives users clear control over the marking operation without the need for a separate PC. The controller also provides connectivity options through RS232, digital I/O ports and the optional TCP/IP Ethernet network port.

Features

- High Speed Portable Marking
- Easy to Use
- Quiet, Fast, Efficient Marking
- Large Marking Area
- Flexible fixturing options
- Robust Precision Mechanics
- 3 metre umbilical cable
- 220/110v supply, No air required

Options

- Data Matrix encoding software
- 6 meter cable option
- Spring balance
- Barcode Reading
- TCP/IP Connectivity as option
- Electro-magnetic stand-off posts for automatic clamping



Pryor reserve the right to amend product specifications without notice.



When identification is critical for traceability or product impact, a quality mark is required. Monode combines creative engineering with a full range of marking solutions to meet your needs. Over a half-century of progress as a trusted "parts marking problem solver" ... that's Monode!

Contact Us:

Telephone: 440-975-8802

Fax: 440-975-1364

The Web: www.monode.com

Email: sales@monode.com

Headquarters: 9200 Tyler Boulevard • Mentor, Ohio 44060



Quality Marking
Equipment with
Integrated Machine
Vision Solutions