

Manufacturers and Distributors of Quality Marking Equipment



7620 Tyler Boulevard
Mentor, OH 44060. USA
Phone: (440) 975-8802
Fax: (440) 975-1364
Web: www.monode.com
Email: sales@monode.com

Monode™ Pad Printer Model MO-620



SINGLE COLOR FLOOR MODEL
2 X 12 IMAGE AREA
MO-620-1



TWO-COLOR FLOOR MODEL
4 X 6 IMAGE AREA
MO-620-2



FOUR-COLOR FLOOR MODEL
3 X 3 IMAGE AREA
MO-620-4

A WHOLE NEW WAY OF MARKING

A WHOLE NEW WAY OF MARKING

A WHOLE NEW WAY OF MARKING

MONODE™
STEEL STAMP, INC.
419-929-3501

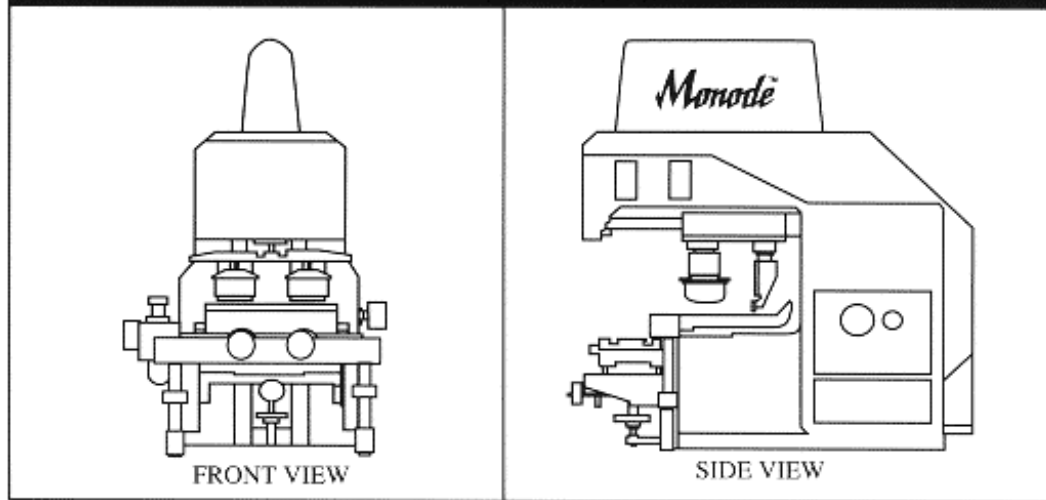

Imperial
STAMP & ENGRAVING

Waldorf
Marking Devices™
Division of Monode
419-929-1541



7620 Tyler Boulevard
Mentor, OH 44060. USA
Phone: (440) 975-8802
Fax: (440) 975-1364
Web: www.monode.com
Email: sales@monode.com

MONODE PAD PRINTING EQUIPMENT



BASE NOT SHOWN

ENGINEERING SPECIFICATIONS: Model MO-620

620 SERIES PAD PRINTING MACHINE

POWER:	110 V AC, 60Hz
AIR:	3.5 CF/M, 60 PSI
MAX. PRINTING AREA:	Single Color 2 x 12 Two Color 4 x 4 Three Color 4 x 3 Four Color 3 x 3
SIZE:	36 X 24 X 65 Base included
NET WEIGHT:	356 Lbs.
SHIPPING SIZE AND WEIGHT:	44 x 37 x 75 488 Lbs, GW
CYCLES PER HOUR:	1800 Max, actual production speeds vary upon operation speed and part parameters.
SPECIAL FEATURES:	E-Z Etch Cliche System from MONODE facilitates in plant additions of date codes or variable information on steel cliches. Tooling X-Y micro adjustments insures perfect alignment. Heavy Duty machine base included. Rotary index table, table shuttle, or oval conveyor optional for semi-automatic production. Logic control for precise set ups and maximum production speeds.