



Highly Flexible
Easy to Use
Quiet, Fast, Efficient Marking
Stand Alone or Networked
Wide Range of Options

LCD MarkMate



Workshop Dot Marking Machine

A bench mounted, fully programmable dot marking machine in a low cost simple to use package. Uncompromised build quality ensures the stand alone variable marking system is robust enough for the toughest workshop environments.

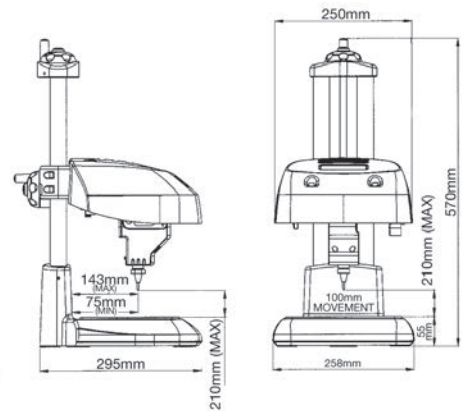
Applications Include:

- Programmable Marking • Component Identification • Component Traceability • Serial Numbering
- Logo Marking • Security Marking • Health & Safety Appliance Marking • Certification Marking
- Decorative Trophy & Award Marking • Time & Date Marking • Part Numbering
- Batch & Shift Coding • Calibration Systems • Label & Tag Marking

intelligent marking solutions

TECHNICAL SPECIFICATIONS

Marking Area	100mm x 75mm
Std. Character Sizes	0.18mm - 99.9mm in increments of 0.18mm
Marking Formed	5x7, 7x9, Varidot
Marking Speed	Variable, depends on application
Memory Capacity	LCD: 600 layouts
Windows Option	Unlimited
Weight	Marking Machine: 13kg Controller: 7kg



Highly Flexible

Suits most marking applications for a single programmable system. 100mm by 75mm marking area allowing multi-component marking, saving time. Variable force control to ensure optimum mark depth for all engineering materials up to 62 Rc (800 Hv). The lead-screw driven marking head guarantees dot precision unmatched on other low cost systems.

Easy to use out of the box

The compact ergonomic design has been created with ease of use in mind. High functionality software with PC Windows option ensures operator training is minimized and production efficiency is maximized. The multilingual user interface allows users to choose between different character fonts and type sizes as well as angular and arc marking, serial numbers, date and time marking.

Quiet, Fast, Efficient Marking

Requiring no air supply and powered only by a standard 220 volt (110 volt available) electric source the MarkMate is both highly efficient, and significantly quieter than pneumatically actuated systems.

Stand Alone or Networked

The separate controller protects the electronics from the mechanical shock loading generated in the marking head and the large high-contrast LCD screen gives users clear control over the marking operation without the need for a separate PC. The controller also provides connectivity options through RS232 serial and digital O/I ports.



Wide Range of Options

Standard hardware options include start stop box, magnetic table, machine 'T' slot table, label fixture, arc fixture and label feed. Custom designed fixtures are also available on request. The WinMax Software option allows users to control the system through a familiar PC windows interface enhancing networking and data storage capabilities. Extended warranty packages available.

Monode reserves the right to amend product specification without notice.



When identification is critical for traceability or product impact, a quality mark is required. Monode combines creative engineering with a full range of marking solutions to meet your needs. Over a half-century of progress as a trusted "parts marking problem solver" ...that's Monode!



Quality Marking Equipment with Integrated Machine Vision Solutions