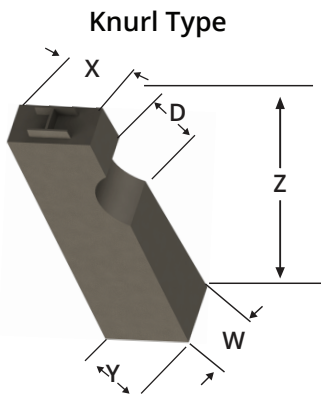
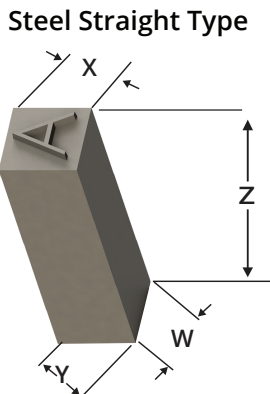
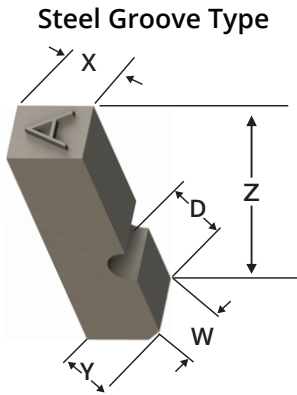


Quick Quote

To: Monode Steel Stamp, Inc.
 9200 Tyler Boulevard
 Mentor, OH 44060
 Phone: (440) 975-8802
 Fax: (440) 975-1364

Date _____
 Number of Pages _____
 From _____

Contact: _____
 Phone #: _____
 Fax#: _____
 Inquiry#: _____



Steel Type (Circle One)

Steel Straight Type Straight Groove Type Knurl Type
 Sharp Face Flat Face Low-Stress
 Per Print # _____

Brand Name of Holder: _____

Diameter of Holder (For Knurl Type): _____

Material to be Marked (Circle Appropriate Material):

Soft Steel Steel/32-38RC Steel 38-42RC
 Plastic Aluminum Brass
 Other: _____

Please Dimension The Appropriate Blank

D _____ W _____ X _____
 Y _____ Z _____

No. Pieces Req.	Character Size	To Read